

Compressie krachtopnemer
 Compression loadcell
 Célula de carga
 Kompression Wägezelle

1000 delen OIML R60 klasse C
 1000 divisions OIML R60 class C
 1000 divisiones OIML R60 clase C
 1000 Teile OIML R60 Klasse C

Krachtopnemer roestvrijstaal
 Measuring element from stainless steel
 Celula de carga de acero inoxidable
 Wägezelle Edelstahl

Hermetisch laser-gelast IP 68 DIN 40050
 Hermetically sealed laser welding IP 68 Din 40050
 Sellado hermetico mediante laser IP 68 Din 40050
 Hermetisch dicht verschweiß IP 68 Din 40050



Leverbaar in
 Available in
 Disponible en
 Erhältlich in
ATEX



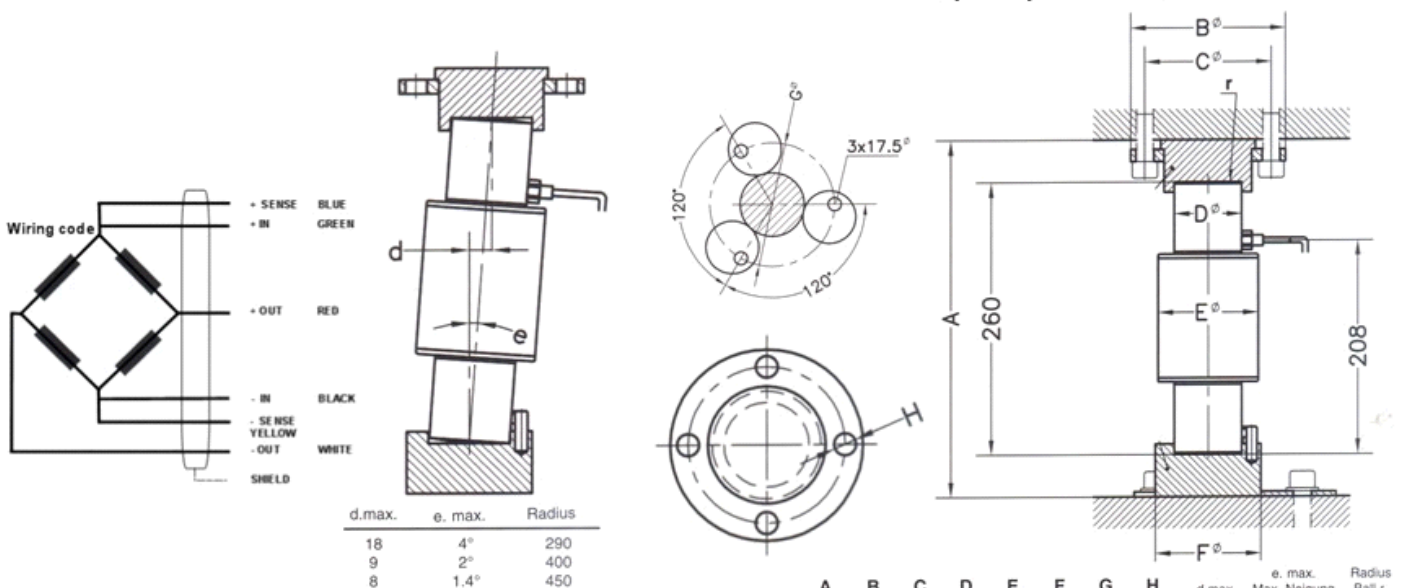
TECHNISCHE GEGEVENS / TECHNICAL DATA / DATOS TECNICOS / TECHNISCHE DATEN

Model Model modelo Modell	Nominale belasting Ln Nominal load Ln Carga nominal Ln Nennlast LN	Nauwkeurigheid oiml Accuracy class oiml Clase de precision oiml Genauigkeitsklasse oiml	Minimale delen Minimum division Minima division Minimum Teilungswert	Veilige belasting 150% Service load 150% Cargo de servicio 150 % Gebrauchslast 150%	Grens belasting Safe load Carga límite Grenzlast
740/100 t	100 t	1000	15 kg	150 t	350 t
740/200 t	200 t	1000	30 kg	300 t	450 t
740/400 t	400 t	1000	60 kg	600 t	1200 t

SPECIFICATIONS

Nominal load (N.L.) 100-200-400 t
 No. of scale intervals 4000 divisions
 Creep over 30' a 20°C: ± 0.02%
 Nominal sensitivity 2 mV/V
 Sensitivity tolerance ± 0,1% (N.L.)
 Temperature effect on sensitivity -10...+40°C): <± 0.001%/°C
 Temperature effect on zero (-10...+50°C): <± 0.002%/°C
 Maximum combined error : <± 0.02%

Input resistance 800 Ω ± 5 Ω
 Output resistance 700 Ω ± 5 Ω
 Range of excitation 5...12 V
 Service temperature range -10 a +50°C
 Lim it load 120 % (N.L.)
 Breaking load > 350 % (N.L.)
 Cable length: 15m
 6 wire (sense) electrical connection



BWT BV
 Havervelden 8
 5281 PT Boxtel
 Nederland
 Tel: +31 (0) 411 67 77 88
 Fax: +31 (0) 847 46 31 64
 E-mail: info@bwt-weegtechnik.nl
 www.bwt-weegtechnik.nl
 K.v.K. Den Bosch nr: 160.37.101



Certificate of approval
 of a quality system CE-017
 Certificaat van
 erkend keurder 4317-NAW

