

Krachtopnemer / loadcell / Célula / Wägezelle 700

Compressie krachtopnemer
 Compression loadcell
 Célula de carga
 Kompression Wägezelle



3000 delen OIML R60 klasse C
 3000 divisions OIML R60 class C
 3000 divisiones OIML R60 clase C
 3000 Teile OIML R60 Klasse C

Krachtopnemer van staal
 Measuring element from alloy steel
 Celula de carga de acero
 Wägezelle aus Stahl

Hermetisch laser-gelast IP 68 DIN 40050
 Hermetically sealed laser welding IP 68 Din 40050
 Sellado hermetico mediante laser IP 68 Din 40050
 Hermetisch dicht verschweißt IP 68 Din 40050

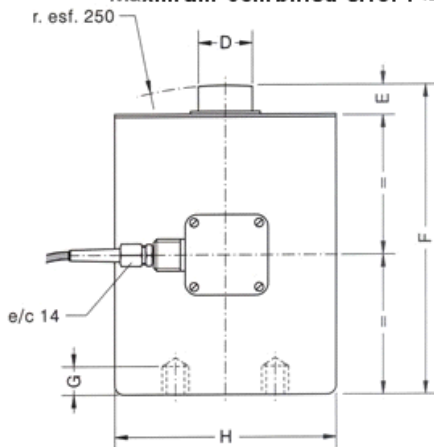
TECHNISCHE GEGEVENS / TECHNICAL DATA / DATOS TECNICOS / TECHNISCHE DATEN

Model Model modelo Modell	Nominale belasting Ln Nominal load Ln Carga nominal Ln Nennlast Ln	Nauwkeurigheid oiml Accuracy class oiml Clase de precision oiml Genauigkeitsklasse oiml	Minimale delen Minimum division Minima division Minimun Teilungswert	Veilige belasting 120% Service load 120% Cargo de servicio 120 % Gebrauchslast 120%	Grens belasting 150% Safe load 150% Carga limite 200% Grenzlast 150 %
700	10 t	3000	1.4 kg	12 t	15 t
700	15 t	3000	2 kg	18 t	22 t
700	20 t	3000	3 kg	24 t	30 t
700	25 t	3000	3 kg	30 t	37 t
700	30 t	3000	4 kg	36 t	45 t
700	40 t	3000	5 kg	48 t	60 t
700	50 t	3000	7 kg	60 t	75 t
700	60 t	3000	8 kg	72 t	90 t
700	70 t	3000	90 kg	84 t	105 t
700	100 t	1000	50 kg	120 t	150 t
700	150 t	1000	75 kg	180 t	225 t
700	200 t	1000	100 kg	240 t	300 t

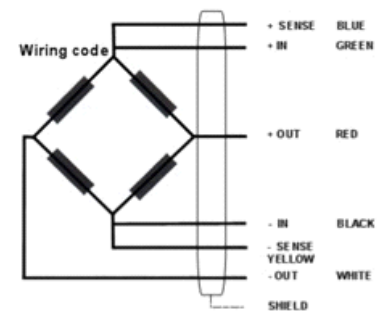
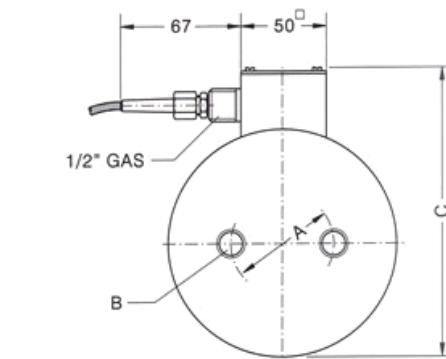
SPECIFICATIONS

Nominal load (N.L.) 10 ... 200 t
 No. of scale intervals 3000 divisions
 Creep over 30' a 20°C: ± 0.02%
 Nominal sensitivity 2 mV/V
 Sensitivity tolerance ± 0,1% (N.L.)
 Temperature effect on sensitivity -10...+40°C): <± 0.001%/°C
 Temperature effect on zero (-10...+50°C): <± 0.002%/°C
 Maximum combined error : <± 0.02%

Input resistance 405 Ω ± 25 Ω
 Output resistance 350 Ω ± 3 Ω
 Range of excitation 5...12 V
 Service temperature range -10 a +50°C
 Limit load 120 % (N.L.)
 Breaking load > 150 % (N.L.)
 Cable length: 20 m
 6 wire (sense) electrical connection



Dimensions in mm



	A	B	C	D	E	F	G	H
10 t	60	M-16	172	32	17	126	18	135
15-20-25-30 t	60	M-16	172	32	17	189	18	135
40-50-60-70 t	90	M-20	187	44	22.5	230	21	150
100 t	90	M-20	187	65	22.5	230	21	150
150-200 t	90	M-20	187	80	22.5	230	21	150



BWT BV
 Havervelden 8
 5281 PT Boxtel
 Nederland
 Tel: +31 (0) 411 6777 88
 Fax: +31 (0) 847 46 31 64
 E-mail: info@bwt-weegtechnik.nl
 www.bwt-weegtechnik.nl
 K.v.K. Den Bosch nr: 160.37.101



Certificate of approval
 of a quality system CE-017

Certifikaat van
 erkend keurder 4317-NAW



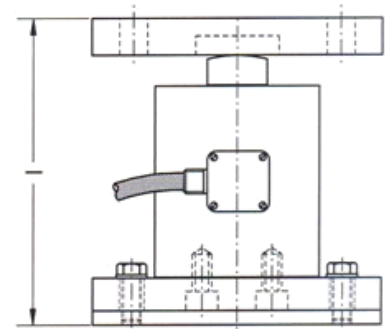
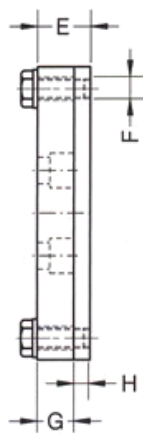
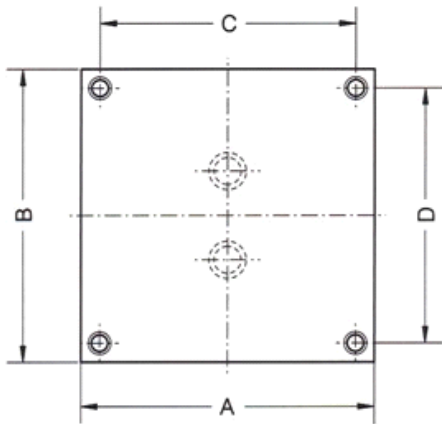
Weeg module / Weigh module / Sisterna antivuelco / Lastecke 700

RVS of verzinkt staal

Stainless steel or Zinc-plated

Acero inoxidable o Hierro zincado

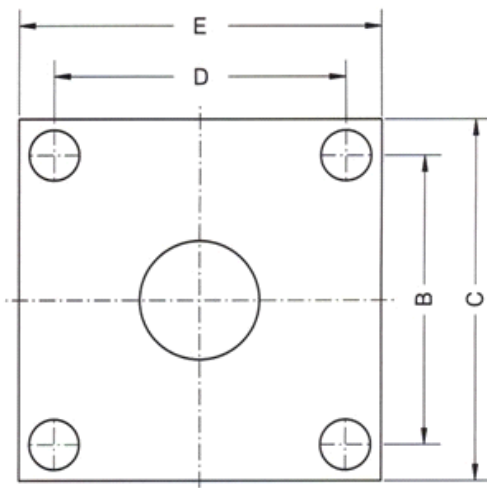
Edelstahl o der verzinkter Stahl



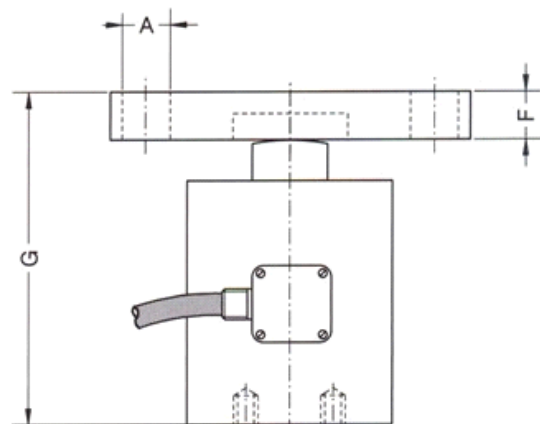
Model
Modell

A B C D E F G H

700 (10-15-20-25-30 t)	200	200	174	174	35	M-14	25	10
700 (40-50-60-70 t)	200	200	174	174	45	M-16	30	15



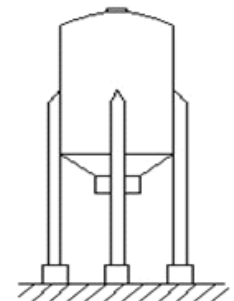
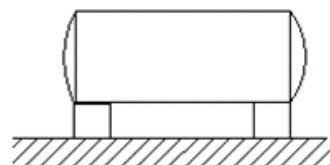
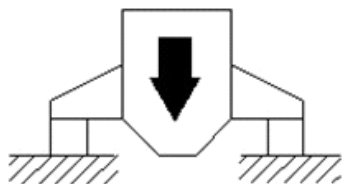
Dimensions mm



Model
Modell

A \emptyset B C D E F G

700 (10 t)	14.5	174	200	174	200	25	151
700 (15-20-25-30 t)	14.5	174	200	174	200	25	214
700 (40-50-60-70 t)	16.5	174	200	174	200	35	265



WEEGTECHNIEK
BWT

BWT BV
Havervelden 8
5281 PT Boxtel
Nederland
Tel: +31 (0) 411 67 77 88
Fax: +31 (0) 847 46 31 64
E-mail: info@bwt-weegtechnik.nl
www.bwt-weegtechnik.nl
K.v.K. Den Bosch nr: 160.37.101

NMI
RECOGNISED
CE 017

Certificate of approval
of a quality system CE-017

Certificaat van
erkend keurder 4317-NAW

NMI
ERKEND
NL 4317

VERISPECT
ERKEND

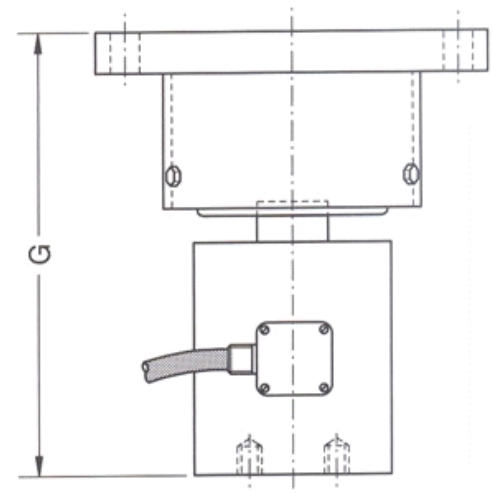
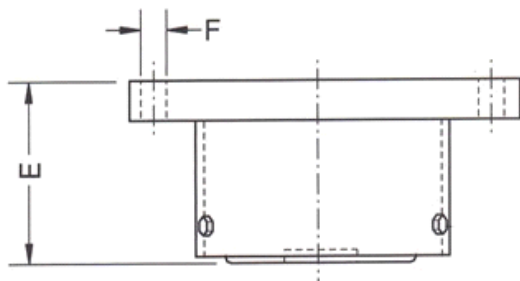
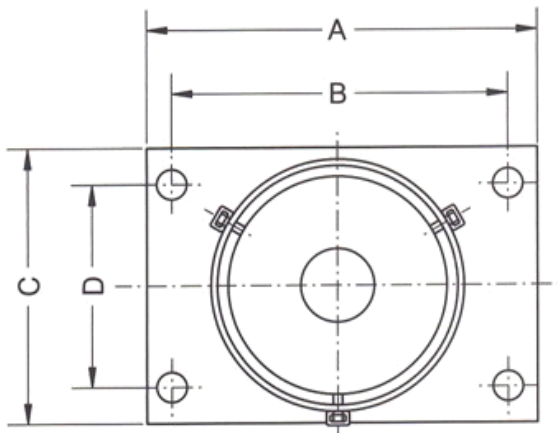
Weeg module / Weigh module / Sistema antivuelco / Lastecke 700

RVS of verzinkt staal

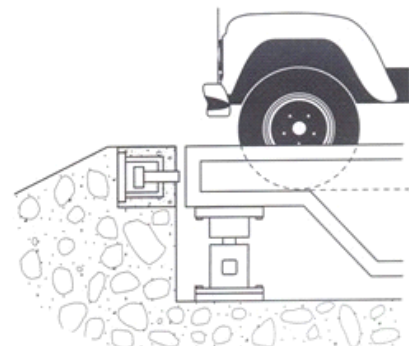
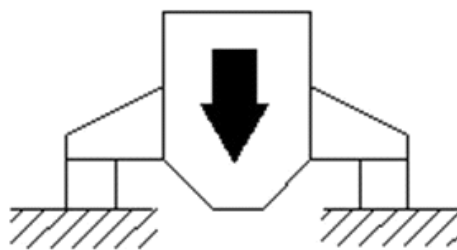
Stainless steel or Zinc-plated

Acero inoxidable o Hierro zincado

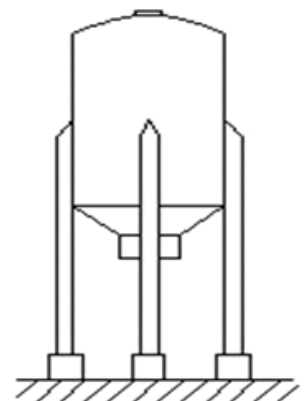
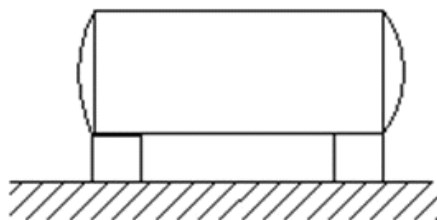
E delstahl o der verzinkter Stahl



Model Modell	A	B	C	D	E	F \varnothing	G
700 (≤ 30 t)	270	230	180	140	119.5	18.5	307
700 (40-50-60-70 t)	270	230	220	160	161.5	18.5	389.5



Dimensions mm



WEEGTECHNIEK
BWT

BWT BV
Havervelden 8
5281 PT Boxtel
Nederland
Tel: +31 (0) 411 67 77 88
Fax: +31 (0) 847 46 31 64
E-mail: info@bwt-weegtechniek.nl
www.bwt-weegtechniek.nl
K.v.K. Den Bosch nr: 160.37.401

NMI
RECOGNISED
CE 017

Certificate of approval
of a quality system CE-017

Certificaat van
erkend keurder 4317-NAW

NMI
ERKEND
NL 4317

VERISPECT
ERKEND