

Krachtopnemer / loadcell / Célula / Wägezelle SP-DP

Digitale compressie krachtopnemer
 Digital compression loadcell
 Célula de carga digital
 Digitale Wägezelle

4000 delen OIML R60 klasse C
 4000 divisions OIML R60 class C
 4000 divisiones OIML R60 clase C
 4000 Teile OIML R60 Klasse C

Krachtopnemer roestvrijstaal
 Measuring element from stainless steel
 Célula de carga de acero inoxidable
 Wägezelle Edelstahl

Hermetisch laser-gelast IP 68 DIN 40050
 Hermetically sealed laser welding IP 68 Din 40050
 Sellado hermético mediante laser IP 68 Din 40050
 Hermetisch dicht verschweißt IP 68 Din 40050



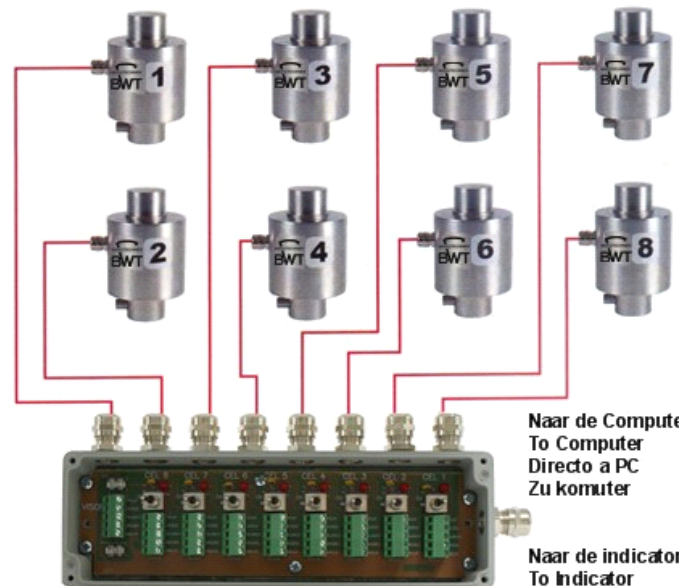
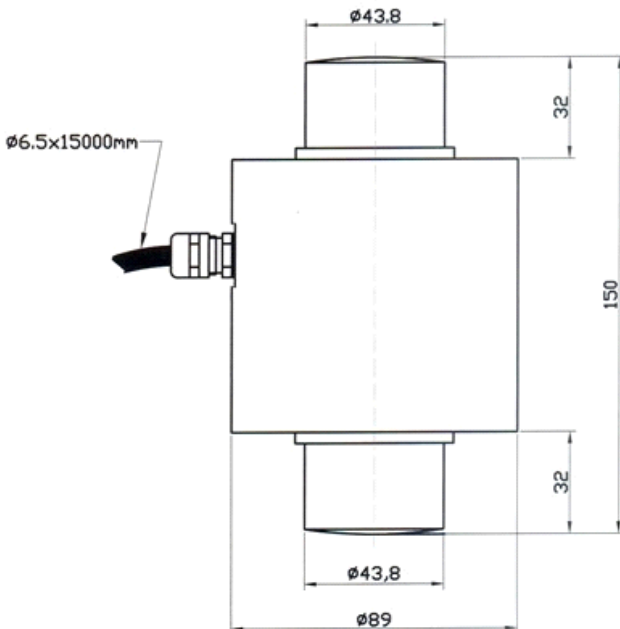
TECHNISCHE GEGEVENS / TECHNICAL DATA / DATOS TECNICOS / TECHNISCHE DATEN

Model Model modelo Modell	Nominale belasting Ln Nominal load Ln Carga nominal Ln Nennlast LN	Nauwkeurigheid oiml Accuracy class oiml Clase de precision oiml Genauigkeitsklasse oiml	Minimale delen Minimum division Minima division Minimum Teilungswert	Veilige belasting 150% Service load 150% Cargo de servicio 150 % Gebrauchslast 150%	Grens belasting 200% Safe load 200% Carga límite 200% Grenzlast 200 %
BRIV 15 t	15 t	4000	1.25 kg	22 t	52 t
BRIV 30 t	30 t	4000	2.5 kg	45 t	105 t
BRIV 40 t	40 t	4000	3.33 kg	60 t	140 t
BRIV 50 t	50 t	4000	5 kg	90 t	210 t

SPECIFICATIONS

Nominal load (N.L.) 15-25-30-40-50 t
 No. of scale intervals 4000 divisions
 Vmin Emax/15000
 Conversions per second 40 s⁻¹
 Transmission speed 100 kHz (Max)
 Temperature effect on sensitivity $\pm 0.006\%/5^{\circ}\text{K}$

Input resistance $570 \Omega \pm 3 \Omega$
 Insulation resistance $>5000 \text{ M}\Omega$
 Range of excitation 8...15 V
 Internal resolution 24 bits
 Current consumption 35 mA
 Temperature effect on zero $< \pm 0.01\%/5^{\circ}\text{K}$



Naar de Computer
 To Computer
 Directo a PC
 Zu komuter

Naar de indicator
 To Indicator
 Directo avisor
 Zu weigeindikator

WEEGTECHNIEK BWT
 BWT BV
 Havervelden 8
 5281 PT Boxtel
 Nederland
 Tel: +31 (0) 411 6777 88
 Fax: +31 (0) 847 46 31 64
 E-mail: info@bwt-weegtechnik.nl
 www.bwt-weegtechnik.nl
 K.v.K. Den Bosch nr: 160.37.101



Certificate of approval
 of a quality system CE-017

Certifikaat van
 erkend keurder 4317-NAW



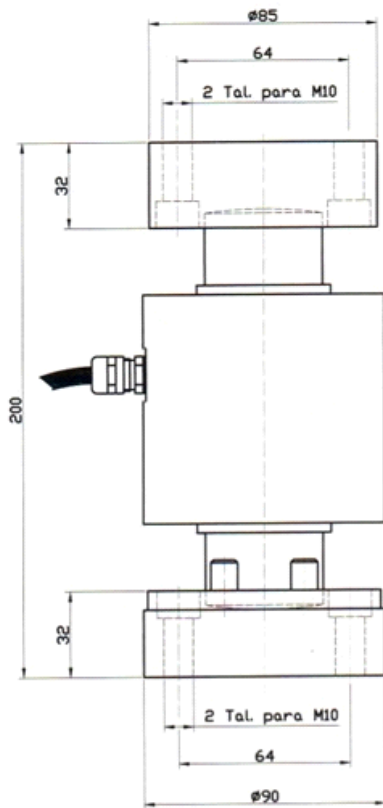
Weeg module / Weigh module / Sistema antivuelco / Lastecke SP-DP

RVS of verzinkt staal

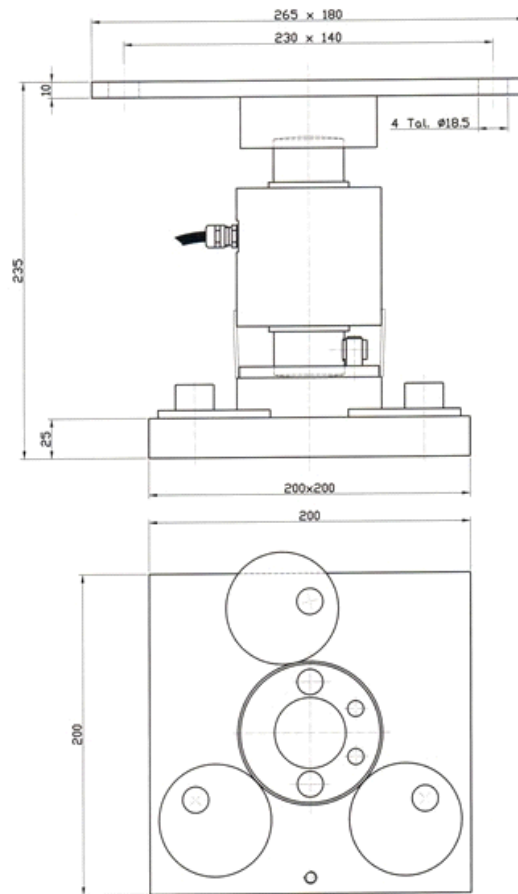
Stainless steel or Zinc-plated

Acero inoxidable o Hierro zincado

E delstahl oder verzinkter Stahl

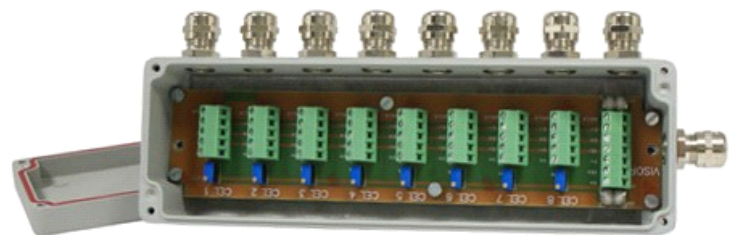
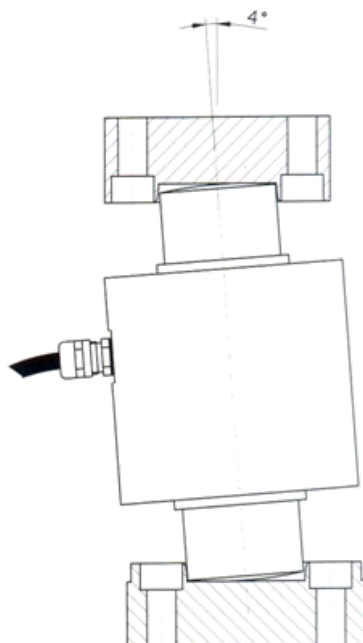


Basis accessoires SP
Bases accessory SP
Conjunto bases SP
Basis Zubehoer SP



Basis accessoires SP
Support accessory SP
Conjunto soporte SP
Basis Zubehoer SP

Dimensions mm



Digital junction box 6-8 Krachtopnemers
Digital junction box 6-8 loadcell
Caja conexiones suma 6-8 células
Digitaler klemmenkasten 6-8 Wagezellen



BWT BV
Havervelden 8
5281 PT Boxtel
Nederland
Tel +31 (0) 411 67 77 88
Fax +31 (0) 847 46 31 64
E-mail: info@bwt-weegtechnik.nl
www.bwt-weegtechnik.nl
K.v.K. Den Bosch nr: 160.37.101



Certificate of approval
of a quality system CE-017

Certifikaat van
erkend keurder 4317-NAW



Krachtopnemer / loadcell / Célula / Wägezelle SP-DC

Digitale compressie krachtopnemer
 Digital compression loadcell
 Célula de carga digital
 Digitale Wägezelle

4000 delen OIML R60 klasse C
 4000 divisions OIML R60 class C
 4000 divisiones OIML R60 clase C
 4000 Teile OIML R60 Klasse C

Krachtopnemer roestvrijstaal
 Measuring element from stainless steel
 Celula de carga de acero inoxidable
 Wägezelle Edelstahl

Hermetisch laser-gelast IP 68 DIN 40050
 Hermetically sealed laser welding IP 68 Din 40050
 Sellado hermético mediante laser IP 68 Din 40050
 Hermetisch dicht verschweißt IP 68 Din 40050



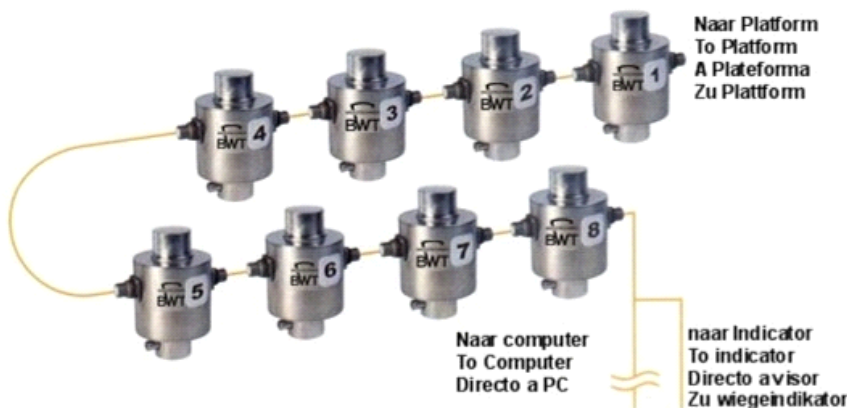
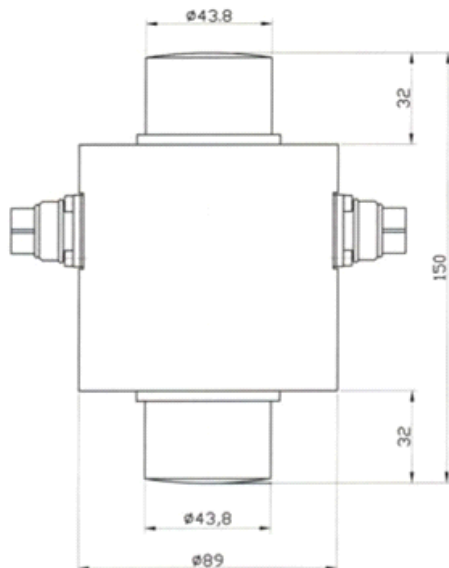
TECHNISCHE GEGEVENS / TECHNICAL DATA / DATOS TECNICOS / TECHNISCHE DATEN

Model Model modelo Modell	Nominale belasting Ln Nominal load Ln Carga nominal Ln Nennlast LN	Nauwkeurigheid oiml Accuracy class oiml Clase de precision oiml Genauigkeitsklasse oiml	Minimale delen Minimum division Minima division Minimun Teilungswert	Veilige belasting 150% Service load 150% Cargo de servicio 150 % Gebrauchslast 150%	Grens belasting 200% Safe load 200% Carga limite 200% Grenzlast 200 %
BRIV 15 t	15 t	4000	1.25 kg	22 t	52 t
BRIV 30 t	30 t	4000	2.5 kg	45 t	105 t
BRIV 40 t	40 t	4000	3.33 kg	60 t	140 t
BRIV 50 t	50 t	4000	5 kg	90 t	210 t

SPECIFICATIONS

Nominal load (N.L.) 15-30-40-50 kg*
 No. of scale intervals 4000 divisions*
 Vmin Emax/15000*
 Conversions per second 40 s⁻¹*
 Transmission speed 100 kHz (Max)
 Temperature effect on sensitivity $\pm 0.006\%/5^{\circ}\text{K}^*$

Input resistance $570 \Omega \pm 3 \Omega^*$
 Insulation resistance $>5000 \text{ M}\Omega^*$
 Range of excitation 8...15 V*
 Internal resolution 24 bits*
 Current consumption 35 mA*
 Temperature effect on zero $< \pm 0.01\%/5^{\circ}\text{K}^*$



Connections
 1+ Vcc Red
 2 SCL Green
 3 SDA White
 4 GND Black

WEEGTECHNIEK
BWT
 BWT BV
 Havervelden 8
 5281 PT Boxtel
 Nederland
 Tel: +31 (0) 411 6777 88
 Fax: +31 (0) 847 46 31 64
 E-mail: info@bwt-weegtechnik.nl
 www.bwt-weegtechnik.nl
 K.v.K. Den Bosch nr: 160.37.101



Certificate of approval
 of a quality system CE-017

Certifikaat van
 erkend keurder 4317-NAW



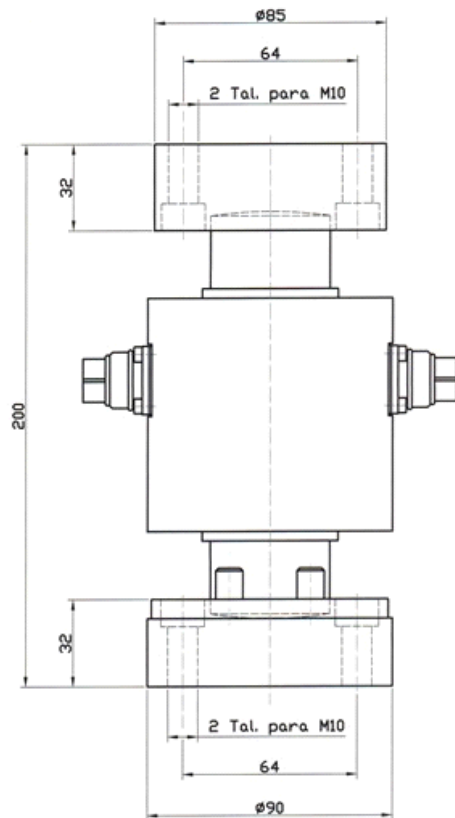
Weeg module / Weigh module / Sistema antivuelco / Lastecke SP-DC

RVS of verzinkt staal

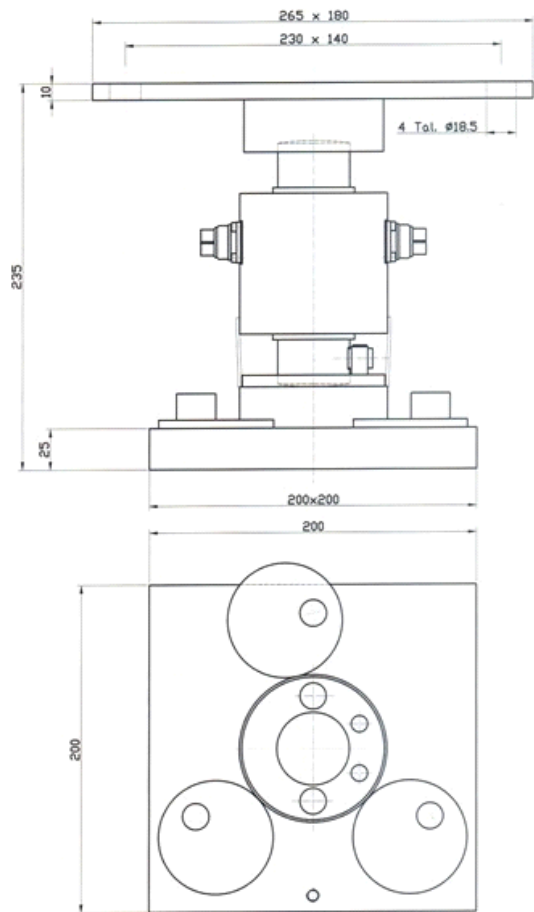
Stainless steel or Zinc-plated

Acero inoxidable o Hierro zincado

Edelstahl oder verzinkter Stahl

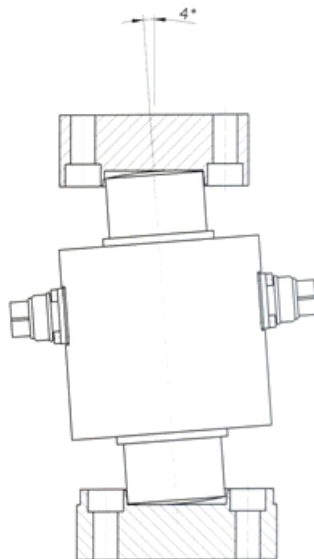


Basis accessoires SP
Bases accessory SP
Conjunto bases SP
Basis Zubehoer SP



Basis accessoires SP
Support accessory SP
Conjunto soporte SP
Basis Zubehoer SP

Dimensions mm



SP-D Digitale krachtopnemer kabel met connectoren
Lengte 7,5 / 9,5 of 15 m
Optie metalen mantel
SP-D Digital loadcell cable with connectors
Length 7,5 / 9,5 or 15 m
Option metallic cable covering
SP-D celula de carga digital cable y conectores
Longitud del cable 7,5 / 9,5 u 15 m
Option metalica del cable
SP-D Digitaler Waagezellekabel mit Connectoren
Laenge 7,5 / 9,5 oder 15 m
Option metall mantel



BWT BV
Havervelden 8
5281 PT Boxtel
Nederland
Tel +31 (0) 411 67 77 88
Fax +31 (0) 847 46 31 64
E-mail: info@bwt-weegtechnik.nl
www.bwt-weegtechnik.nl
K.v.K. Den Bosch nr: 160.37.101



Certificate of approval
of a quality system CE-017

Certifikaat van
erkend keurder 4317-NAW

