

Krachtopnemer / loadcell / Célula / Wägezelle BR-8

Compressie krachtopnemer
 Compression loadcell
 Célula de carga
 Kompression Wägezelle



4000 delen OIML R60 klasse C
 4000 divisions OIML R60 class C
 4000 divisiones OIML R60 clase C
 4000 Teile OIML R60 Klasse C

Krachtopnemer roestvrijstaal
 Measuring element from stainless steel
 Celula de carga de acero inoxidable
 Wägezelle Edelstahl

Hermetisch laser-gelast IP 68 DIN 40050
 Hermetically sealed laser welding IP 68 Din 40050
 Sellado hermetico mediante laser IP 68 Din 40050
 Hermetisch dicht verschweißt IP 68 Din 40050



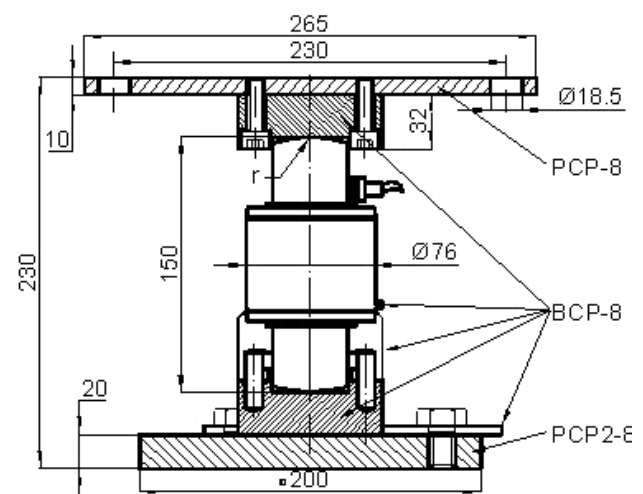
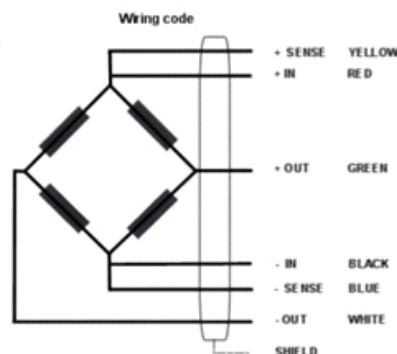
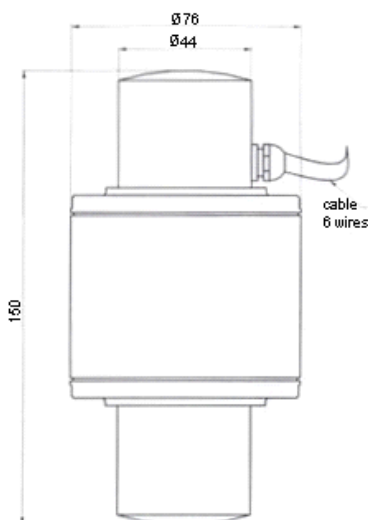
TECHNISCHE GEGEVENS / TECHNICAL DATA / DATOS TECNICOS / TECHNISCHE DATEN

Model Modelo Modell	Nominale belasting Ln Nominal load Ln Carga nominal Ln Nennlast LN	Nauwkeurigheid oiml Accuracy class oiml Clase de precision oiml Genauigkeitsklasse oiml	Minimale delen Minimum division Minima division Minimum Teilungswert	Veilige belasting 150% Service load 150% Cargo de servicio 150 % Gebrauchslast 150%	Grens belasting 200% Safe load 200% Carga límite 200% Grenzlast 200 %
CP-8/ 20	20 t	4000	1.33 kg	30 t	40 t
CP-8/ 25	25 t	4000	1.66 kg	47 t	50 t
CP-8/ 30	30 t	4000	2.00 kg	45 t	60 t
CP-8/ 35	35 t	4000	2.33 kg	52 t	80 t
CP-8/ 40	40 t	4000	2.66 kg	60 t	120 t

SPECIFICATIONS

Nominal load (N.L.) 20-25-30-35-40 t
 No. of scale intervals 4000 divisions
 Creep over 30' a 20°C: $\pm 0.02\%$
 Nominal sensitivity 2 mV/V
 Sensitivity tolerance $\pm 0,1\%$ (N.L.)
 Temperature effect on sensitivity -10...+40°C: $\pm 0.001\%/^{\circ}\text{C}$
 Temperature effect on zero (-10...+50°C): $\pm 0.002\%/^{\circ}\text{C}$
 Maximum combined error : $\pm 0.02\%$

Input resistance $800 \Omega \pm 5 \Omega$
 Output resistance $700 \Omega \pm 5 \Omega$
 Range of excitation 5...12 V
 Service temperature range -10 a +50°C
 Limit load 200 % (N.L.)
 Breaking load > 350 % (N.L.)
 Cable length: 15m
 6 wire (sense) electrical connection



BWT BV
 Havervelden 8
 5281 PT Boxtel
 Nederland
 Tel: +31 (0) 411 67 77 88
 Fax: +31 (0) 847 46 31 64
 E-mail: info@bwt-weegtechnik.nl
www.bwt-weegtechnik.nl
 K.v.K. Den Bosch nr: 160.37.101



Certificate of approval
 of a quality system CE-017

Certifikaat van
 erkend keurder 4317-NAW

