

# Krachtopnemer / loadcell / Célula / Wägezelle **BM14G**

Compressie krachtopnemer  
 Compression loadcell  
 Célula de carga  
 Kompression Wägezelle

3000 delen OIML R60 klasse C  
 3000 divisions OIML R60 class C  
 3000 divisiones OIML R60 clase C  
 3000 Teile OIML R60 Klasse C

Krachtopnemer roestvrijstaal  
 Measuring element from stainless steel  
 Celula de carga de acero inoxidable  
 Wägezelle Edelstahl

Hermetisch laser-gelast IP 68 DIN 40050  
 Hermetically sealed laser welding IP 68 Din 40050  
 Sellado hermético mediante laser IP 68 Din 40050  
 Hermetisch dicht verschweißt IP 68 Din 40050



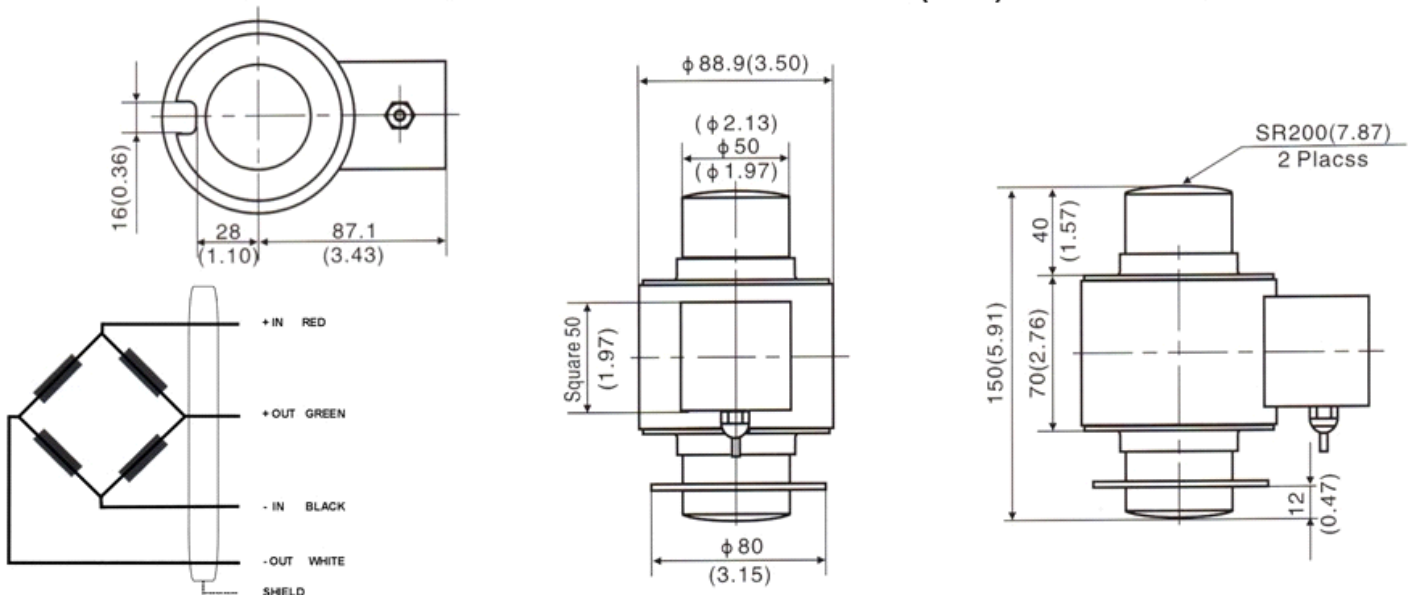
## TECHNISCHE GEGEVENS / TECHNICAL DATA / DATOS TECNICOS / TECHNISCHE DATEN

Model Model modelo Modell	Nominale belasting Ln Nominal load Ln Carga nominal Ln Nennlast Ln	Nauwkeurigheid oiml Accuracy class oiml Clase de precision oiml Genauigkeitsklasse oiml	Minimale delen Minimum division Minima division Minimun Teilungswert	Veilige belasting 150% Service load 150% Cargo de servicio 150 % Gebrauchslast 150%	Grens belasting 300% Safe load 300% Carga límite 300% Grenzlast 300 %
BM14G/ 10	10 t	3000	1.4 kg	15 t	30 t
BM14G/ 20	20 t	3000	2.7 kg	30 t	60 t
BM14G/ 30	30 t	3000	3.3 kg	45 t	90 t
BM14G/ 40	40 t	3000	5.4 kg	60 t	120 t
BM14G/ 50	50 t	3000	6.7 kg	75 t	150 t

## SPECIFICATIONS

Nominal load (N.L.) 10-20-30-40-50 t  
 No. of scale intervals 3000 divisions  
 Creep over 30' a 20°C: ± 0.02%  
 Nominal sensitivity 2 mV/V  
 Sensitivity tolerance ± 0,1% (N.L.)  
 Temperature effect on sensitivity -10...+40°C): <± 0.001%/°C  
 Temperature effect on zero (-10...+50°C): <±0.002%/°C  
 Maximum combined error : <± 0.02%

Input resistance 700 Ω ± 7 Ω  
 Output resistance 700 Ω ± 7 Ω  
 Range of excitation 5...12 V  
 Service temperature range -10 a +40°C  
 Limit load 150 % (N.L.)  
 Breaking load > 300 % (N.L.)  
 Cable length: 15 m  
 4 wire (sense) electrical connection



**WEEGTECHNIEK**  
**BWT**  
 BWT BV  
 Havervelden 8  
 5281 PT Boxtel  
 Nederland  
 Tel: +31 (0) 411 6777 88  
 Fax: +31 (0) 847 46 31 64  
 E-mail: info@bwt-weegtechnik.nl  
 www.bwt-weegtechnik.nl  
 K.v.K. Den Bosch nr: 160.37.101



Certificate of approval  
 of a quality system CE-017

Certificaat van  
 erkend keurder 4317-NAW

